



# 12FGHL167

## 12Volt 42Ah

### Specifications

Nominal Voltage(V) **12V**

#### Nominal Capacity

20 hour rate	(2.1A to 10.50V)	42Ah
10 hour rate	(3.99A to 10.50V)	39.9Ah
5 hour rate	(7.14A to 10.20V)	35.7Ah
1 C	(42A to 9.60V)	23.8Ah
3 C	(126A to 9.60V)	16.8Ah

Weight **Approx. 14.5kg(31.9Lbs.)**

Internal Resistance (at 1KHz) **Approx. 7 mΩ**

Maximum Discharge Current for 5 seconds: **504A**

#### Charging Methods at 25 (77 )

Cycle use:

Charging Voltage **14.4 to 15.0V**

Coefficient -5.0mv/ /cell

Maximum Charging Current : **12.6A**

Standby use:

Float Charging Voltage **13.50 to 13.80V**

Coefficient -3.0mv/ /cell

#### Operating Temperature Range

Charge **-15 (5 ) to 40 (104 )**

Discharge **-15 (5 ) to 50 (122 )**

Storage **-15 (5 ) to 40 (104 )**

#### Charge Retention (shelf life) at 20 (68 )

1 month **92%**

3 month **90%**

6 month **80%**

Case Material **ABS**

(UL94 HB flame retardant )

Terminal **F8**

Description of torque value of hard ware for the terminals:  
 Recommended torque value **M6: 5.39 N-m (55kg-cm)**  
 Maximum allowable torque value **M6: 8.82 N-m (90kg-cm)**

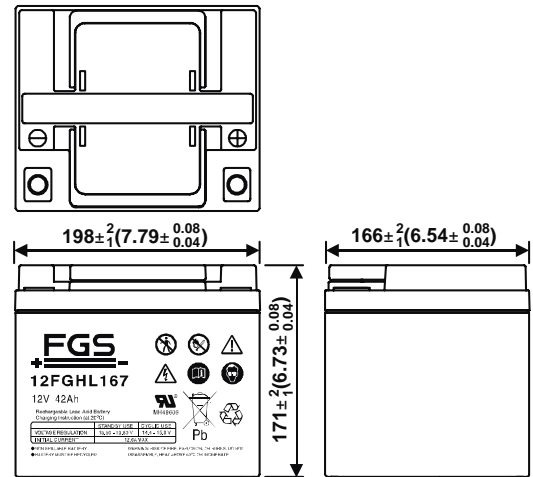
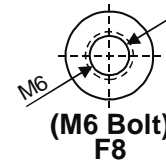
#### Design Life 12 years

Contents in this data sheet are subject to change for improvement without prior notice to users. For clarifications and updated information, please contact us.



### Dimensions

mm(inch)



(v) Discharge Time VS. Discharge Current (25 )

